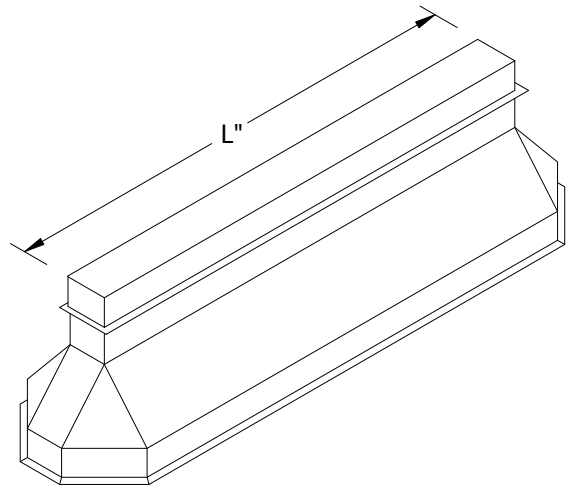
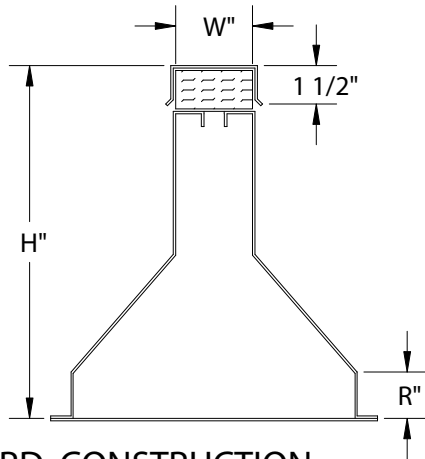


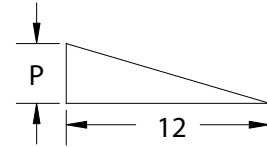
*** IMPERIAL METALS ***



STANDARD CONSTRUCTION
 18 Gauge Galvanized Steel Shell & Base Plate
 All Welded Unitized Construction
 Wood Nailer
 Flashing Cap - 20 Ga. Galv. Steel

OPTIONS

- 1. Heavier Gauge Galvanized Construction
- 2. Aluminum Construction
- 3. Treated Wood Nailer
- 4. Pitch



Date: _____ Arch/Eng: _____
 Project: _____ Supplier: _____
 Location: _____

Qty	L"	W"	H"	P"	Options	Tag

1 - 800 - 442 - 8851 1 - 803 - 532 - 3478 1 - 800 - 442 - 8854 fax

Imperial Metals  P. O. Box 4209
 Batesburg - Leesville SC 29070

Equipment Mounting Rails		DRAWING NUMBER Type MR-RC
DRAWN: COUNTS	DATE	1/2/96
APPROVED:	DATE	