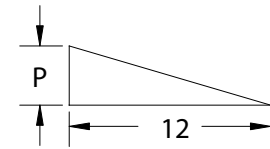
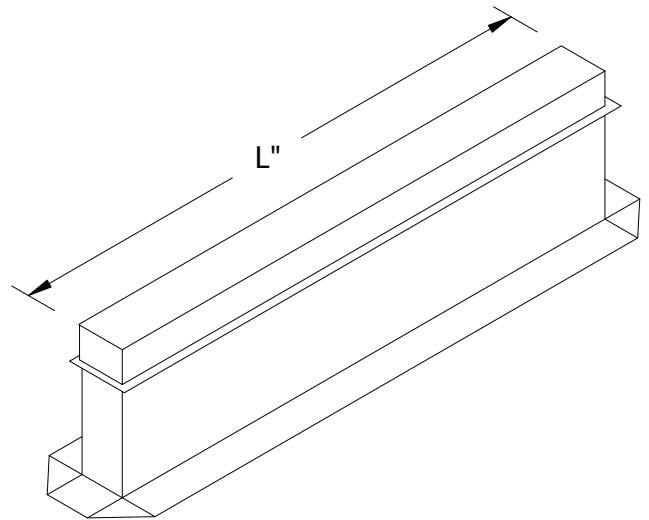
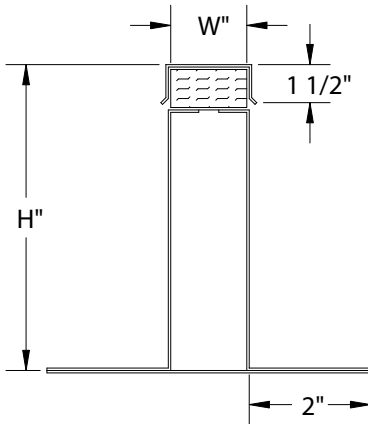


* * * **IMPERIAL METALS** * * *



STANDARD CONSTRUCTION
 18 Gauge Galvanized Steel Shell & Base Plate
 All Welded Unitized Construction
 Wood Nailer
 Flashing Cap - 20 Ga. Galv. Steel

- OPTIONS**
- 1. Heavier Gauge Galvanized Construction
 - 2. Aluminum Construction
 - 3. Treated Wood Nailer
 - 4. Pitch

Date: _____ Arch/Eng: _____
 Project: _____ Supplier: _____
 Location: _____

Qty	L"	W"	H"	P"	Options	Tag

Non-Standard Rails Fabricated To Meet Your Requirements

1 - 800 - 442 - 8851 1 - 803 - 532 - 3478 1 - 800 - 442 - 8854 fax

Imperial Metals  P. O. Box 4209
 Batesburg - Leesville SC 29070

DRAWING NUMBER
Equipment Mounting Rails Type MR-NC

DRAWN: COUNTS DATE 1/2/96

APPROVED: DATE