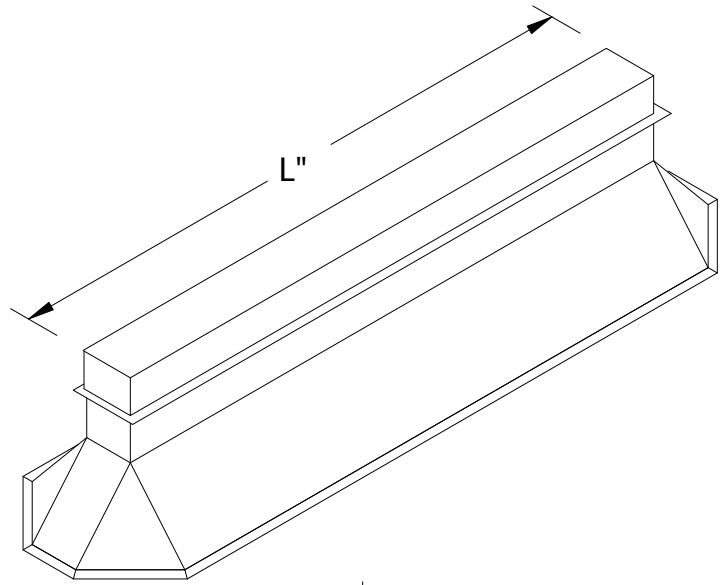
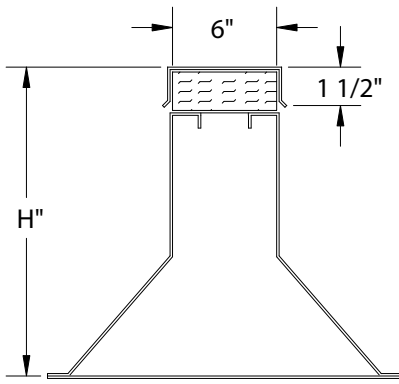


\*\*\* IMPERIAL METALS \*\*\*



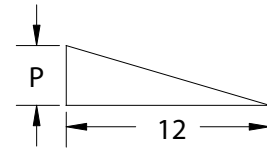
**STANDARD CONSTRUCTION**

18 Gauge Galvanized Steel Shell & Base Plate  
 All Welded Unitized Construction  
 Wood Nailer  
 Flashing Cap - 20 Ga. Galv. Steel

**OPTIONS**

1. Heavier Gauge Galvanized Construction
2. Aluminum Construction
3. Treated Wood Nailer

4. Pitch



Date: \_\_\_\_\_  
 Project: \_\_\_\_\_  
 Location: \_\_\_\_\_

Arch/Eng: \_\_\_\_\_  
 Supplier: \_\_\_\_\_

Qty	L"	W"	H"	P"	Options	Tag

1 - 800 - 442 - 8851      1 - 803 - 532 - 3478      1 - 800 - 442 - 8854 fax

Imperial Metals  P. O. Box 4209  
 Batesburg - Leesville SC 29070

Equipment Mounting Rails		DRAWING NUMBER Type MR-BC
DRAWN: COUNTS	DATE	1/2/96
APPROVED:	DATE	