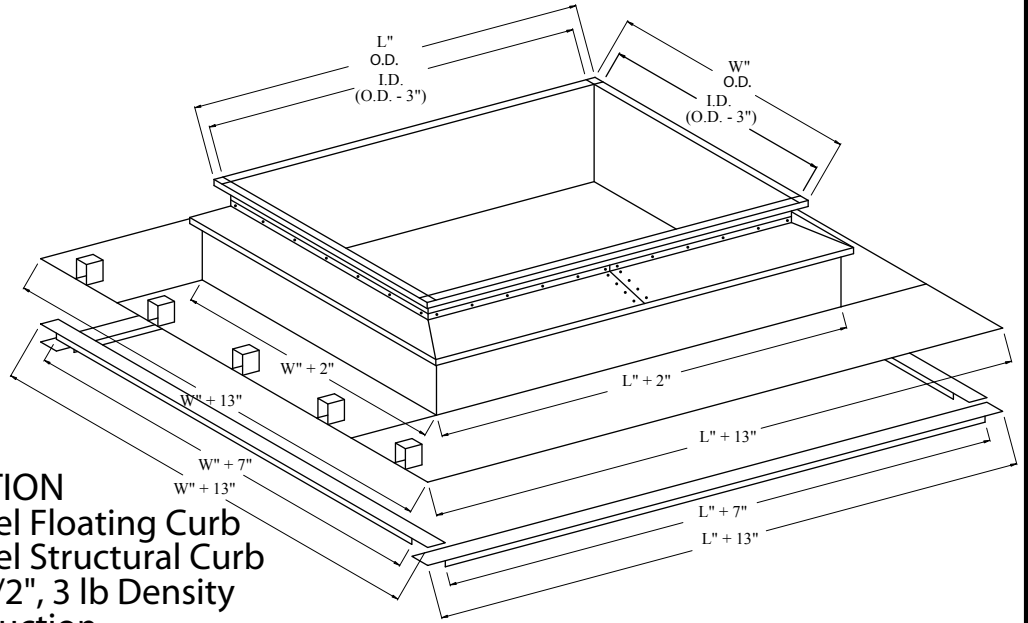
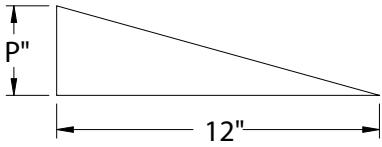


* * * IMPERIAL METALS * * *



STANDARD CONSTRUCTION

- 18 Gauge Galvanized Steel Floating Curb
- 18 Gauge Galvanized Steel Structural Curb
- Fiberglass Insulation - 1 1/2", 3 lb Density
- All Welded Quality Construction
- Single Pitch For Virtually Any Roof Slope

OPTIONS

- | | | | |
|------------------|-----------------------|--------------------|-------------------------|
| 1. Damper Shelf | 4. 16 Ga. Galv. Steel | 8. 14 Ga. Aluminum | 11. Security Bars 8" OC |
| 2. Metal Liner | 5. 14 Ga. Galv. Steel | 9. 12 Ga. Aluminum | 12. Security Bars 6" OC |
| 3. No Insulation | 6. 12 Ga. Galv. Steel | 10. Painted | 13. Sound Attenuation |
| | 7. 10 Ga. Galv. Steel | | |

Date: _____ Arch/Eng: _____
 Project: _____ Supplier: _____
 Location: _____

Qty	L	W	H	P	Options	Tag

1 - 800 - 442 - 8851 1 - 803 - 532 - 3478 1 - 800 - 442 - 8854 fax

Imperial Metals P. O. Box 4209
 Batesburg - Leesville SC 29070

One Piece Metal Bldg Floating Roof Curb

DRAWING NUMBER
TYPE M1F-TU-BO

DRAWN: PENSA DATE 3/23/09

APPROVED: DATE