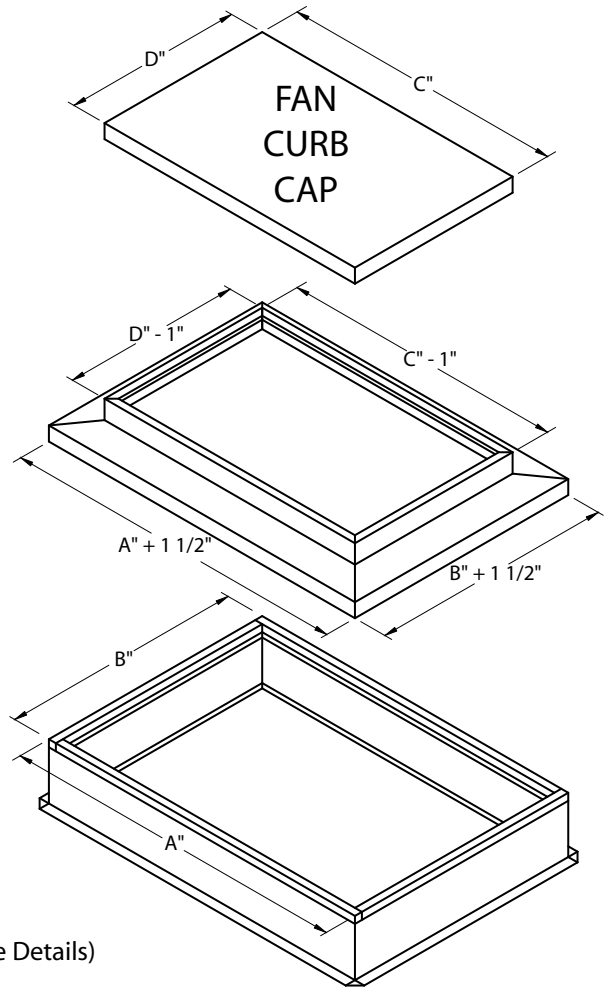
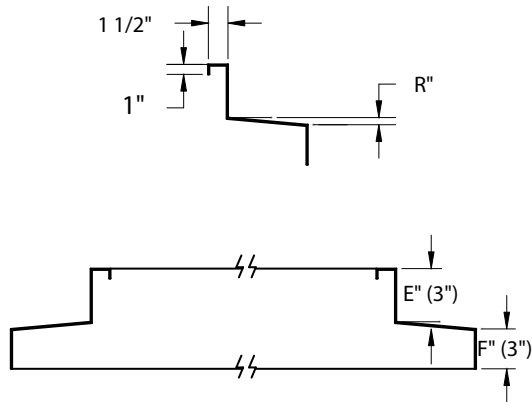


\* \* \* IMPERIAL METALS \* \* \*



**STANDARD CONSTRUCTION**  
 18 Gauge Galvanized Steel  
 All Welded Quality Construction

**MATERIAL OPTIONS**

1. 16 Ga. Galv. Steel
2. 14 Ga. Galv. Steel
3. 12 Ga. Galv. Steel
4. 10 Ga. Galv. Steel
5. 18 Ga. Stainless Steel
6. 14 Ga. Aluminum
7. 12 Ga. Aluminum
8. 11 Ga. Aluminum

Configuration Options  
 4 Sided Concentric Span Shown  
 (See RCA Configuration Sheet For More Details)

Date: \_\_\_\_\_ Arch/Eng: \_\_\_\_\_  
 Project: \_\_\_\_\_ Supplier: \_\_\_\_\_  
 Location: \_\_\_\_\_

Qty	A"	B"	C"	D"	E"	F"	R"	Style	Options	Tag

(800) 442-8851 (803) 532-4627 FAX (800) 442-8854

IMPERIAL METALS  P. O. BOX 4209  
 BATESBURG-LEESVILLE, SC 29070

DESCRIPTION: **ROOF CURB ADAPTER SUBMITTAL**  
 JOB NAME: \_\_\_\_\_ DATE: **JULY 2, 2010**