

ELECTRA **PORT**

PATENT PENDING



***The ultimate choice
for roof-top power installations***

ELECTRA PORT

PATENT PENDING

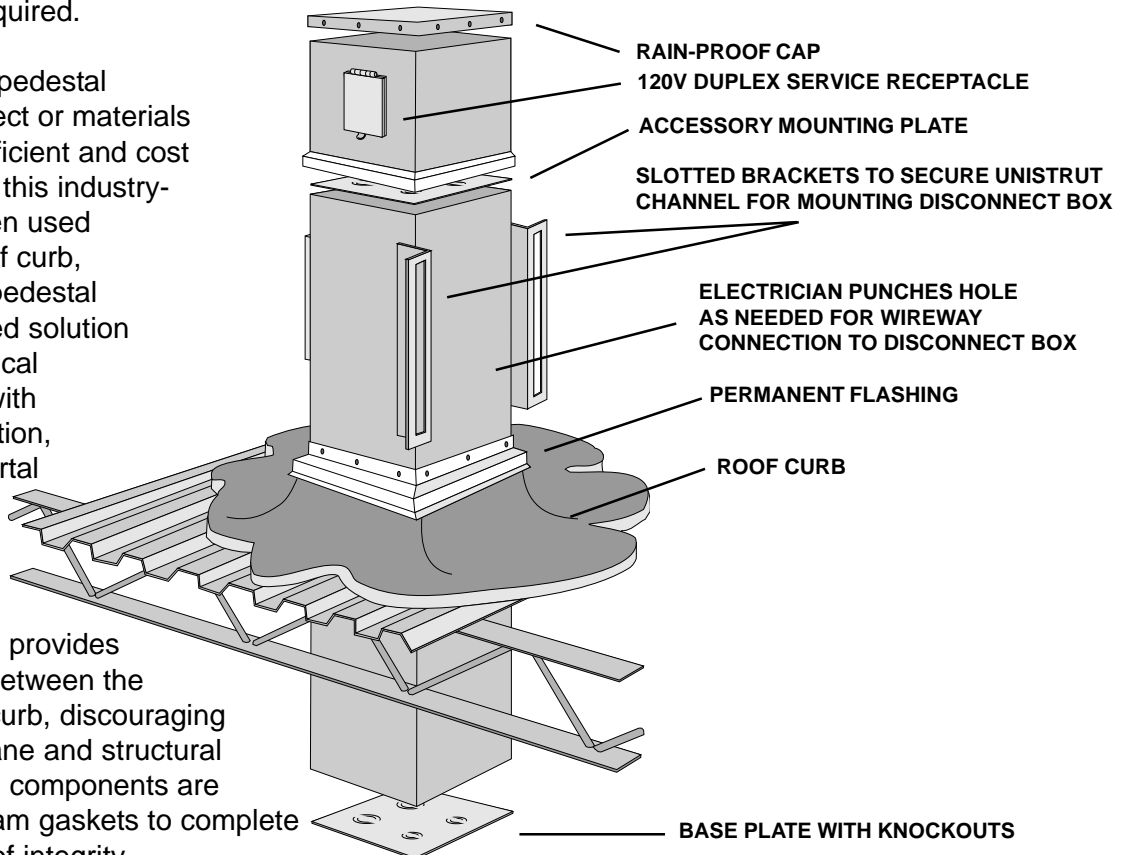
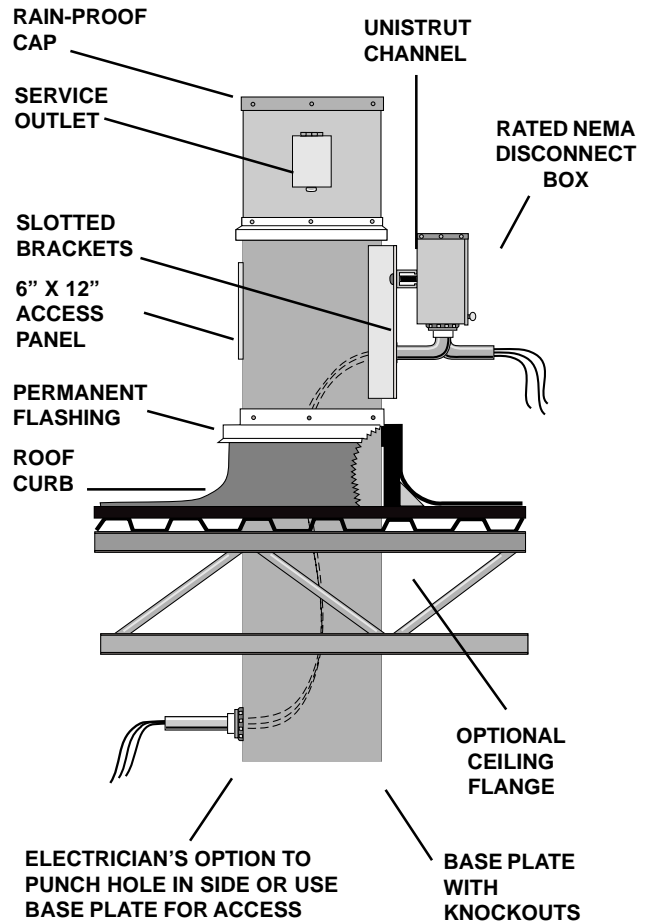
The **ElectraPORT** pedestal was developed by HVAC field engineers in response to concerns about safety and maintenance issues common with electric service installations for rooftop package or condensing units.

Before the **ElectraPORT**, electricians would typically mount power supply disconnect boxes directly onto the surface of the HVAC unit's sheet metal enclosure. Unfortunately, this procedure often resulted in punctured refrigerant coils or damage to other fragile internal components.

Also, electricians would often mount boxes directly over the manufacturers' identification plate. This results in potential maintenance delays when future service is required.

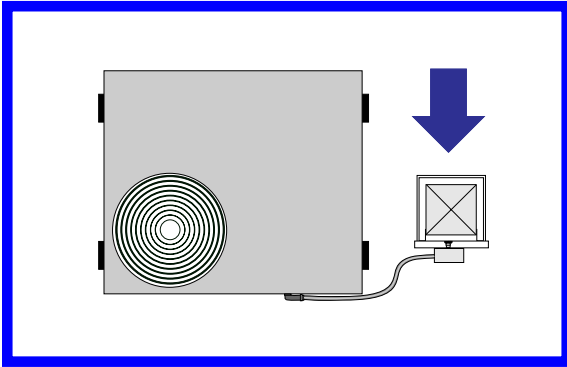
The **ElectraPORT** pedestal provides the architect or materials specifier with an efficient and cost effective answer to this industry-wide problem. When used with a standard roof curb, the **ElectraPORT** pedestal offers an engineered solution for mounting electrical disconnect boxes with any rooftop installation, providing a rigid portal for both power and control wiring.

The welded permanent flashing provides a waterproof seal between the pedestal and roof curb, discouraging leaks, roof membrane and structural damage. All mating components are sealed with 1/4" foam gaskets to complete the unit's waterproof integrity.

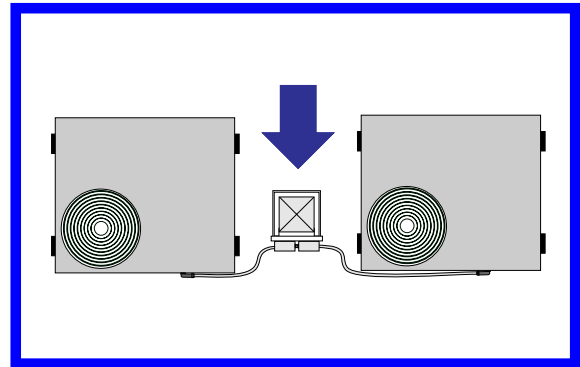


The **ElectraPORT** pedestal can be used for virtually any HVAC roof-top installation, and later, when the unit requires service or replacement, the technician is able to accomplish this task much faster, with fewer complications, and at less expense.

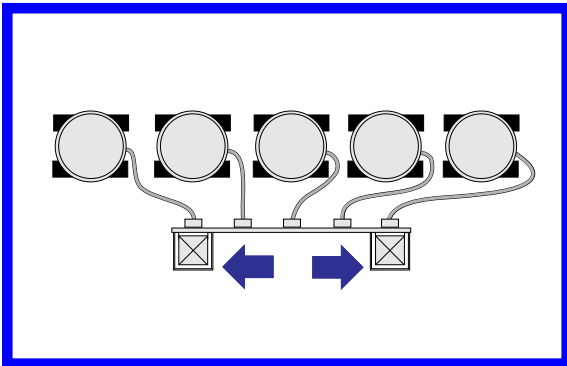
It can be configured alone or in multiples, offering the flexibility of gang-mounting individual disconnect boxes for larger projects by bridging two or more **ElectraPORT** pedestals with a span of customer-supplied UNISTRUT channel. The following overhead illustrations demonstrate several possible configurations:



Typical roof-top HVAC package unit - Single **ElectraPORT** with (1) disconnect.

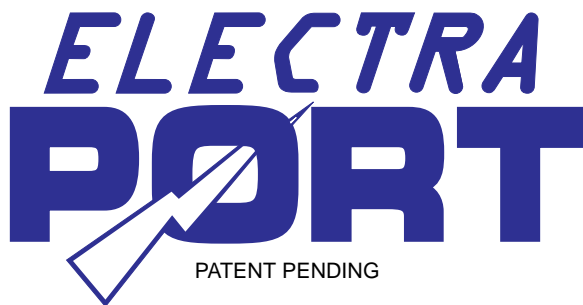
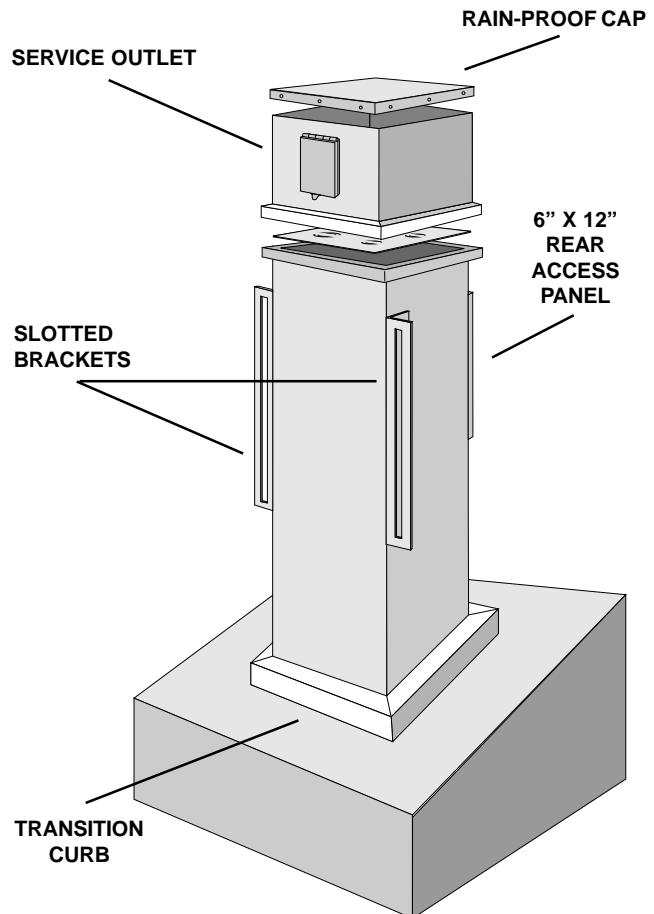


Dual roof-top HVAC package units - Single **ElectraPORT** with (2) disconnects.



Multiple roof-top HVAC condensing units - (2) **ElectraPORT** pedestals bridged with (5) disconnects.

CURB ADAPTER STYLE



MODEL STYLES AND SPECIFICATIONS

MATERIAL:

G-90 Galvanized Steel - 16 Gauge or Optional Aluminum Equiv.

DIMENSIONS:

STYLE (1):

This model includes slotted brackets and permanent flashing as illustrated, with an 8" square internal dimension. This style is appropriate for most installations.

Height.....57" - (144.78 cm) With Module: 63" (160.02 cm)
Width/Depth..... 8" - (20.32 cm)

STYLE (2):

This model also includes slotted brackets and permanent flashing as illustrated, with a 12" square internal dimension. This style is typically specified for larger units.

Height.....57" - (144.78 cm) With Module: 63" (160.02 cm)
Width/Depth..... 12" - (30.48 cm)

FEATURES:

Pedestal uses standard roof curbs for any installation requirements (STYLE 1 & 2).

Slotted brackets are attached for UNISTRUT disconnect box mounting (STYLE 1 & 2).

For ordering information, additional technical specifications or project application questions about the **ElectraPORT** pedestal, please call:



IMPERIAL METALS

Post Office Box 4209
Batesburg-Leesville, SC 29070
www.imperial-metals.com

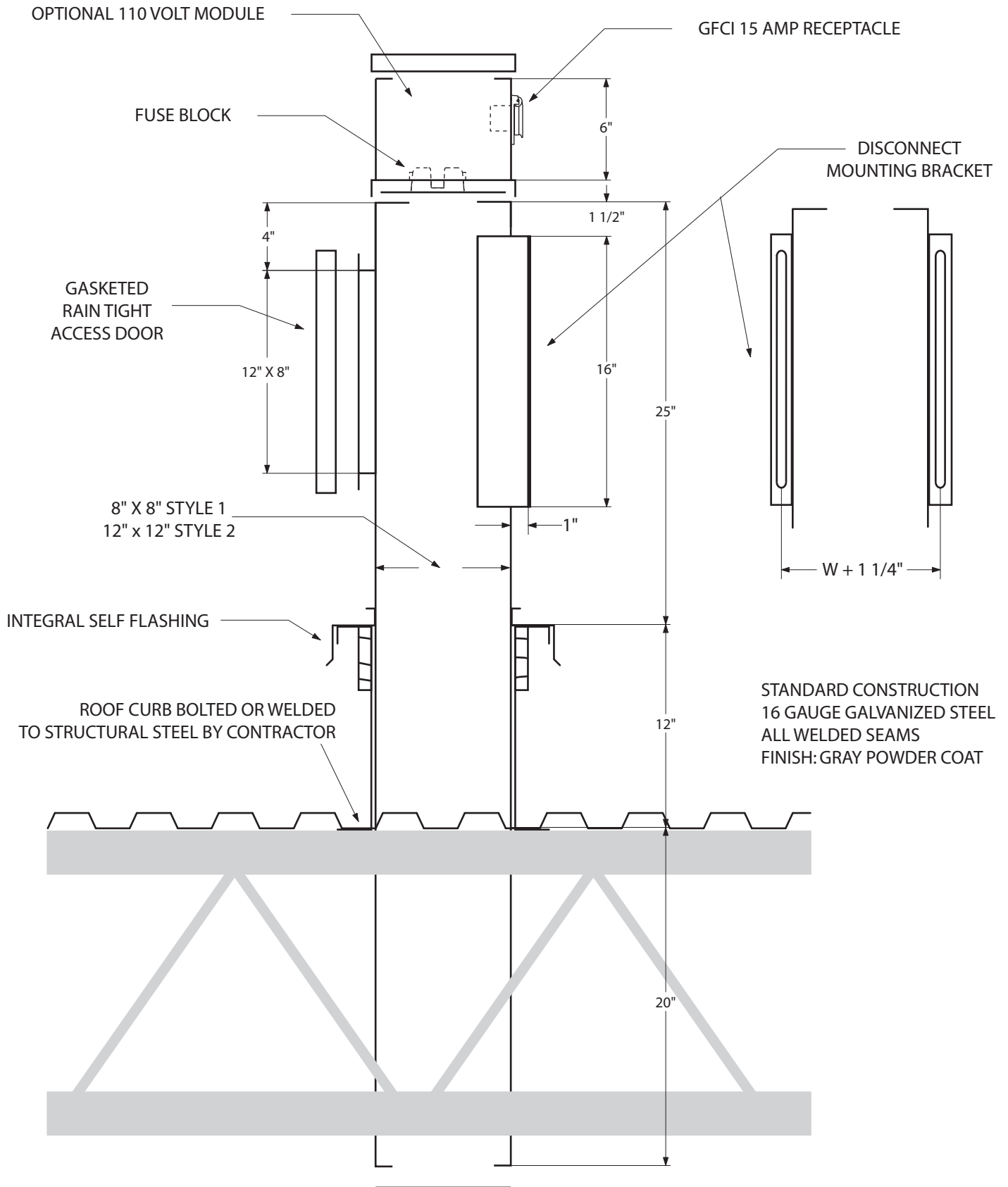
1-800-442-8851

1-803-532-3478

1-800-442-8854 (FAX)

ELECTRAPORT

PATENT NUMBER: US 6,795,300 B1

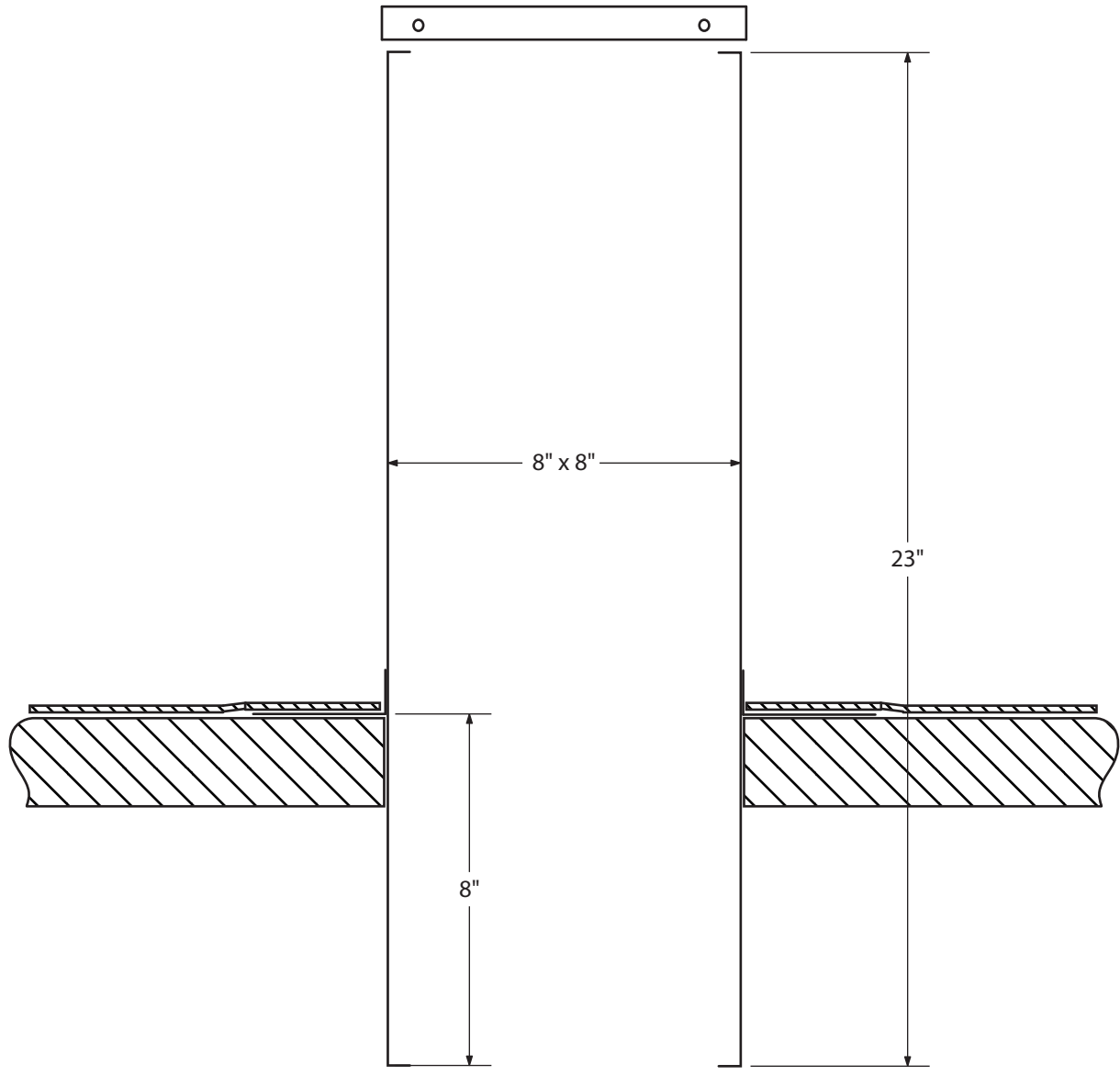


ELECTRAPORT

PATENT NUMBER: US 6,795,300 B1

STYLE 3

WATER PROOF CONDUIT OUTLET
ELIMINATING THE NEED FOR PITCH POCKET



STANDARD CONSTRUCTION
16 GAUGE GALVANIZED STEEL
ALL WELDED SEAMS

OPTIONS
ALUMINUM CONSTRUCTION
STAINLESS STEEL CONSTRUCTION